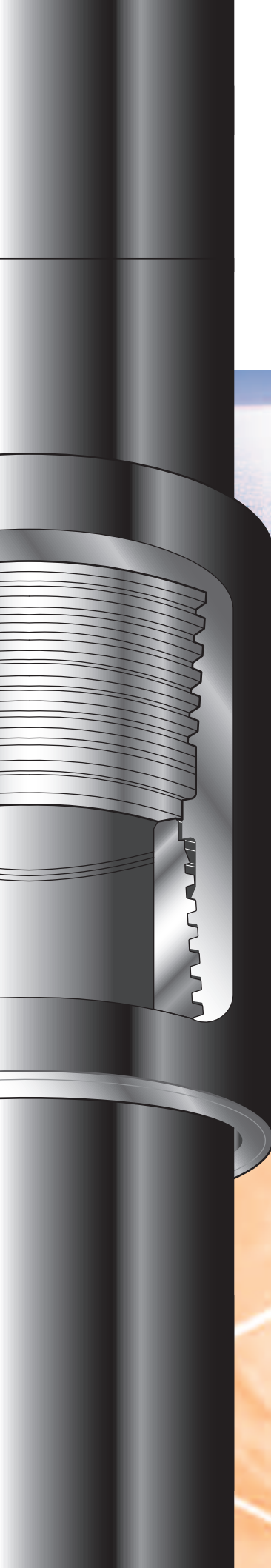
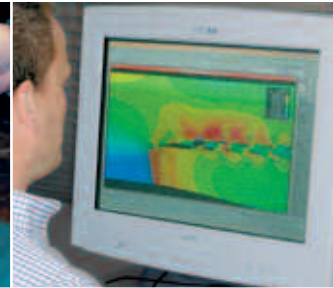
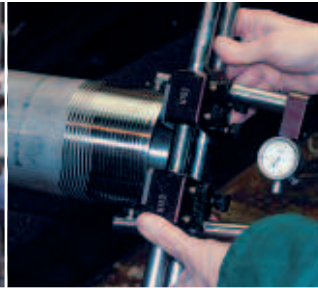


DINO VAM®

Big and better

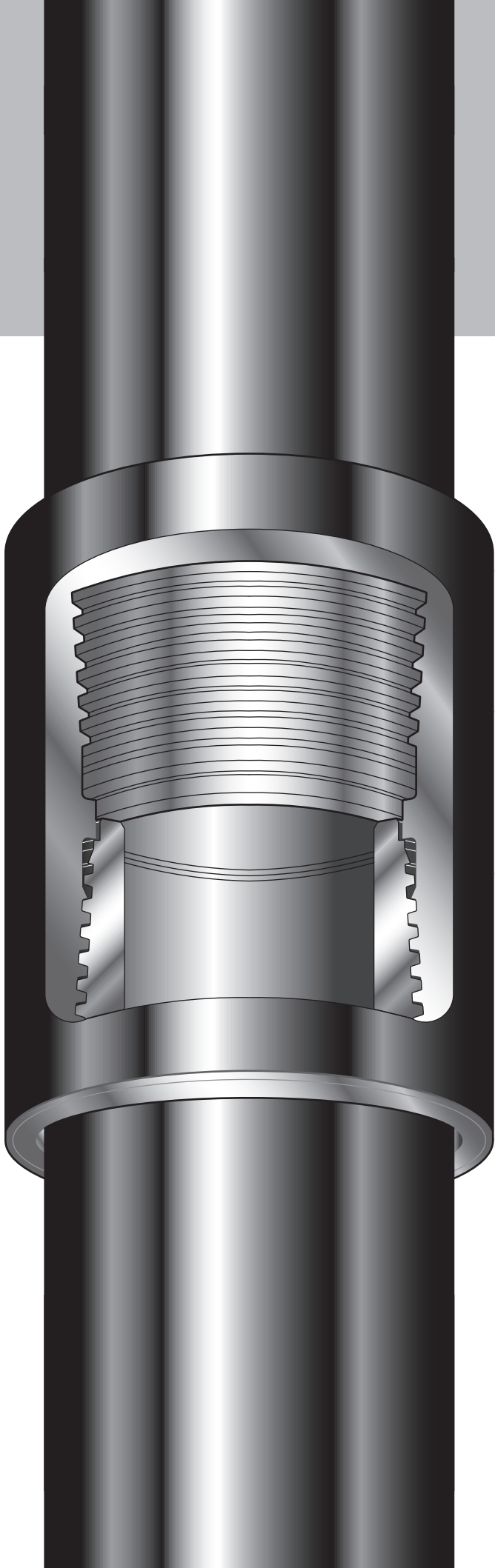


- VAM® TOP*
- VAM® TOP HC*
- VAM® TOP HT*
- VAM® SLIJ II*
- VAM® FJL*
- VAM® HTF*
- DINO VAM®***
- BIG OMEGA™*
- VAM® TOP FE*
- VAM® HW ST*
- VAM® MUST*

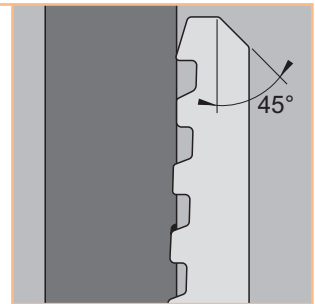
Vallourec Group



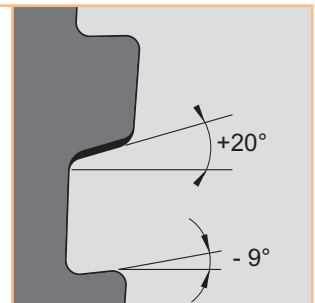
VALLOUREC & MANNESMANN TUBES



Thread run-out

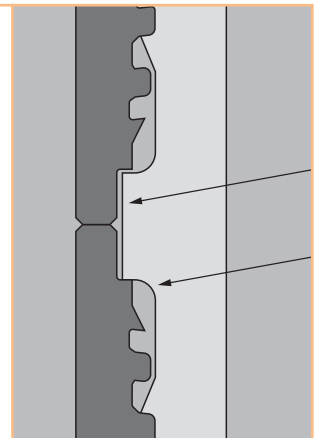


Thread form



Ø 9" to 16" - 3 TPI

Make-up arrestor



Pin to pin
shoulder 0°

Mill make-up
arrestor

DINO VAM® joint is a cost effective T&C connection for surface and intermediate casing applications. DINO VAM® connection was specifically designed to reduce rig operating costs by providing running reliability through deep stabbing, no cross-threading and quick make-up. This connection provides sealing with coarse 3 TPI tapered hooked threads. It is immune to jump-in / jump-out.

Unique Torque Control

- A make-up arrestor positions the coupling accurately on the mill end.
- Pin to pin torque shoulder for positive torque stop on the field end allows over torque and compression resistance.

Improved Thread Design

- Modified hook thread profile, with -9° reverse angle on the load flank and $+20^\circ$ on the stabbing flank which provides superior load carrying performances.
- Increased thread taper, combined with a wider thread profile which allows deep stabbing with no cross-threading.
- Increased thread pitch to reduce make-up time.
- Jump-out free.
- Special thread design to offer superior thread sealing performances.

Coupling Design

- Vanishing threads, fully covered.
- 100% tensile efficiency for all sizes with standard API Buttress OD.

BENEFITS

- **Reduced running time by 30% compared with API Buttress**
- **Field efficiency with deep stabbing and no cross-threading**
- **Internally flush**
- **No jump-in or jump-out**
- **Better sealing than API Buttress with metal free dopes due to thread sealing**

Streamlined Internal Profile

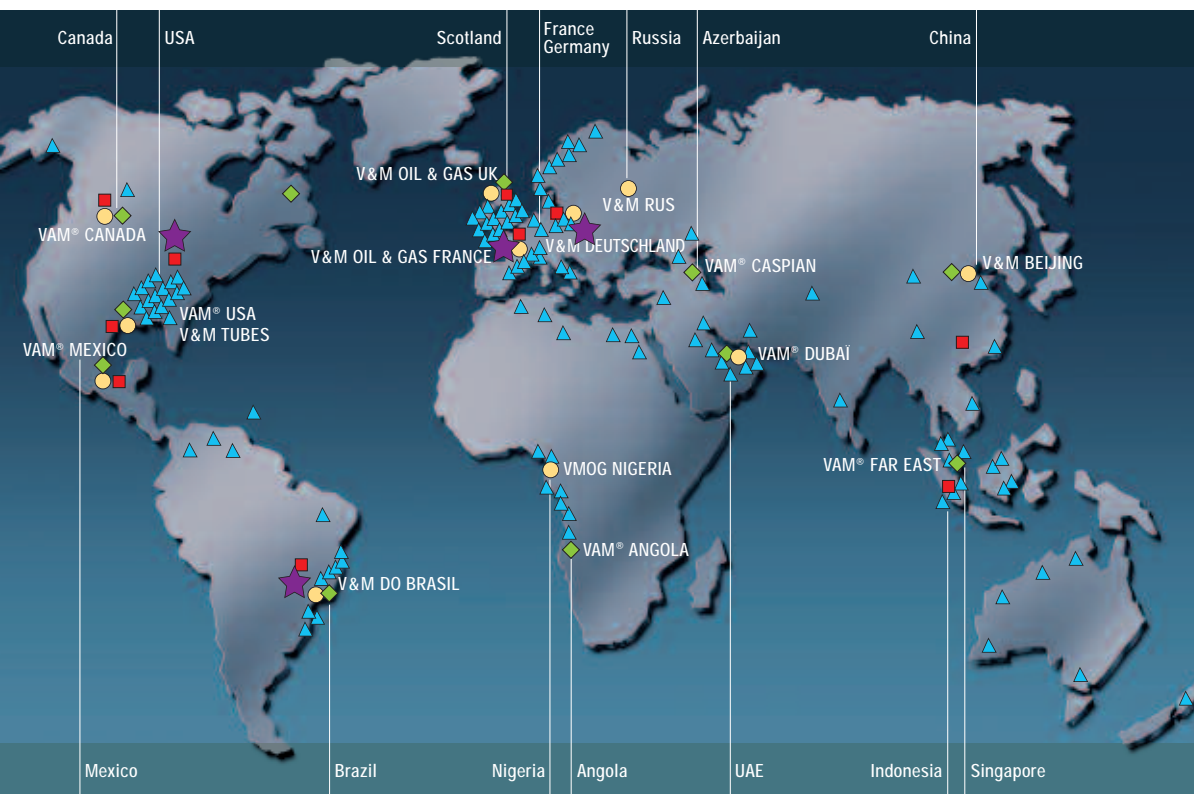
- Pins shoulder, thereby providing a smooth bore ID to minimize turbulence and energy losses.
- Pins shoulder, thereby providing high compression resistance and immunity to jump-in.

Advanced Operational Capabilities – Reduced Operational Costs

- High stabbing efficiency tolerant to misalignment and suppressing cross-threading.
- Make-up torque tolerance $\pm 15\%$.
- No galling after repeated make-ups and break-outs.
- Half the turns of API Buttress required for make-up.

The advanced design of the DINO VAM® joint was thoroughly tested on a rig and the benefits verified.

Our worldwide network for your success



- Sales offices
- ★ Steel making plants
- Manufacturing plants
- ▲ Accessories and repair
VAM® licensee facilities
- ◆ VAM® Field Service International

SALES OFFICES

VALLOUREC MANNESMANN OIL & GAS FRANCE
27, avenue du Général Leclerc
92660 Boulogne Billancourt Cedex
France
Phone +33 1 49093731
Fax +33 1 49093713

V & M DEUTSCHLAND Oil & Gas Division
Theodorstrasse 90
40472 Düsseldorf, Germany
Phone +49 211 960-0
Fax +49 211 960-3924

VALLOUREC MANNESMANN OIL & GAS UK
Prospect Place
Westhill Industrial Estate, Westhill
Aberdeenshire, UK - AB32 6SY
Phone +44 1224 279340
Fax +44 1224 279341

V & M TUBES
1990 Post Oak Blvd, Suite 1400
Houston, TX 77056-3813, USA
Phone +1 713 4793200
Fax +1 713 4793201

V & M BEIJING
Room 301, East Ocean Center
24A, Jianguomenwai Avenue
Beijing 100004, P.R. China
Phone +86 10 5923 3000
Fax +86 10 59 23 3001

VALLOUREC & MANNESMANN RUS
Office E02-305
4th Dobryninsky pereulok, 8,
Moscow, 119049, Russia
Phone +7 495 787-49-30
Fax +7 495 787-49-31

VALLOUREC MANNESMANN OIL & GAS NIGERIA
15B Akanbi Danmola Street
South West Ikoyi, Lagos, Nigeria
Phone +234 1 463 0840
Fax +234 1 463 0841

SALES & SERVICES OFFICES

V & M DO BRASIL
Rua Lauro Müller 116 - Sala 1906
Botafogo 22290 -160
Rio de Janeiro - RJ, Brazil
Phone +55 21 38738300
Fax +55 21 38738316

VAM USA
19210 Hardy Road
Houston, TX 77073, USA
Phone +1 281 8215510
Fax +1 281 8217760

VAM CANADA
1920, 444
5th Avenue SW, Calgary, Alberta
Canada T2P 2T8
Phone +1 403 2330119
Fax +1 403 2662332

VAM MEXICO
Av. Framboyanes Lote 6
Manzana 5
Cd. ind. Bruno Pagliai
Tejeria, Vera Cruz
CP 91697, Mexico
Phone +52 229 989 8716
Fax +52 229 981 0349

VAM DUBAI
World Trade Center
Level 14, office 14:01
P.O. Box 9405
DUBAI, U.A.E.
Phone +971 4 329 16 18
Fax +971 4 329 16 22

SERVICES OFFICES

VAM FIELD SERVICE INTERNATIONAL
Prospect Place
Westhill Industrial Estate, Westhill
Aberdeenshire, UK - AB32 6SY
Phone +44 1224 279380
Fax +44 1224 279384

VAM FAR EAST
No. 16, Jalan Kilang Timor
#06-05, Redhill Forum
Singapore 159308
Phone +65 6736 23 72
Fax +65 6235 11 26

VAM FIELD SERVICE BEIJING
Room 1001-1002
Electronic City Science
and Technology Building
12A Jiu Xian Qiao Road
Chaoyang District
Beijing 100016, P.R. China
Phone +86 10 6438 3145/4513
Fax +86 10 6438 6402

VAMANGOLA
Sonils Business Centre (Office 015)
RUA 6-1L Boavista
Luanda, Republic of Angola
Phone +244 222 670 439
Fax +244 222 310 910

VAM CASPIAN
340 Nizami Street
ISR Plaza 3rd Floor
Baku AZ1000, Azerbaijan
Phone +994 12 493 2939
Fax +994 12 498 7132

VAM SERVICES Licensee Network
21-23 rue de Leval
59620 Aulnoye Aymeries, France
Phone +33 3 27696615
Fax +33 3 27664575

Please visit our website:
www.vamservices.com



VALLOUREC & MANNESMANN TUBES